



MG41E and MG51E Cellular Dipole Antenna Datasheet

Note - Do not mix MG21E, MG41 and MG51E dipole antennas

The dipole antennas (MA-ANT-C2-A) are included with the MG41E and MG51E. When in use the dipoles have a spherical coverage in comparison to a patch antenna. The dipole antennas will excel at allowing users to place the MG in areas where a directional patch antenna cannot be mounted. The dipoles are directly attached to the MG41E/MG51E and require no additional mounting hardware.

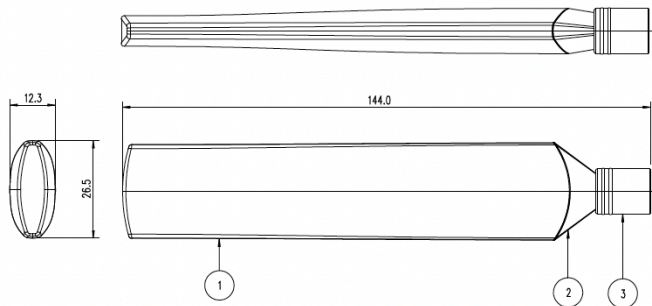


Specifications

Category	Specifications
Electrical	Antenna Type Dipole
	Frequency Range

	<ul style="list-style-type: none"> • 692 (617 - 692) MHz • 960 (698 - 960) MHz • 1515 (1445 - 1515) MHz • 2700 (1710 - 2700) MHz • 5000 (3300 - 5000) MHz • 6000 (5150 - 6000) MHz <p>Peak Gain (per range)</p> <ul style="list-style-type: none"> • 692 @ 0.26dBi • 960 @ 0.67dBi • 1515 @ 2.03dBi • 2700 @ 3.37dBi • 5000 @ 3.91dBi • 6000 @ 4.26dBi <p>Polarization</p> <p>Linear, vertical</p>
<p>Physical and Environmental</p>	<p>Dimensions</p> <p>144mm x 26.5mm x 12.3mm</p> <p>Material of Radiator</p> <p>PCB</p> <p>Material of Plastic</p> <p>PC</p> <p>Operational Temperature</p> <p>-40°C to +65°C (-40°F to 149°F)</p>

	<p>Storage Temperature</p> <p>-40°C to +80°C (-40°F to 176°F)</p> <p>Connector</p> <p>RP-SMA (female)</p>
Warranty	1 year hardware warranty included
Ordering Information	MA-ANT-C2-A
Regulatory	<p>Certified for use with the MG41E and MG51E</p> <p>MA-ANT-C2-A</p>



MA-ANT-C2-A

Radiation pattern

